



P0430-2 - Lincat Electric Counter-top Pizza Oven - Twin-Deck - W 966 mm - 8.4 kW

Transport yourself to the Centro Storico district of Naples with the authentic taste of the pizzas from the Lincat Twin-Deck Electric Pizza Oven.

- ✓ Ideal for restaurants, pizzerias, takeaways, fast food outlets, canteens and leisure establishments
- ✓ Perfect for deep pan, thin crust, fresh dough, part baked or frozen pizzas, as well as a variety of other foods such as ciabatta, naan, garlic bread, lasagna, jacket potatoes, pies, pasties and pastries
- ✓ Internal illumination for better visibility of product and enhanced appearance in front of house applications
- ✓ Firebrick base for crisp, even cooking of pizza bases and a maximum temperature of 400°C
- ✓ Independent controls for each deck. Independently controlled top and base of oven compartment for each deck
- ✓ Thermostatic control and temperature display gauge to monitor oven temperature more accurately
- ✓ Double-glazed door construction for energy efficiency with toughened glass for safety
- ✓ 20 minute audible timer

Specifications

Summary

Range Name	Lincat
Power Type	Electric
Unit Type	Counter-top
Available in UK Only	No
UK Warranty	2 Years Parts and Labour Warranty
Export Warranty	Contact your local dealer
GTIN Code	5056105103707

Power and Performance

Total Power kW	8.4
Temperature Range °C	80 - 480
IP Rating	IP23
Temperature Control	Mechanical
Oven Rating kW	8.4

Key Specifications

Number of Decks	2
------------------------	---

Weights and Dimensions

Unit Height (External) mm	665
Unit Width (External) mm	966
Unit Depth (External) mm	925
Height (Internal) mm	2 x 160
Width (Internal) mm	2 x 630
Depth (Internal) mm	2 x 640
Net Weight Kg	150.4

Supply Connections

Requires Installation	Yes
Requires Electrical Supply	Yes
UK 3 Pin Plug	No
Requires Hardwiring	Yes
Electrical Supply Rating Watts	8,400
Single Phase Amps	36.6
Single Phase Voltage	230
Three Phase Amps	L1=12.2 ; L2=12.2 ; L3=12.2
Three Phase Voltage	400

Shipping

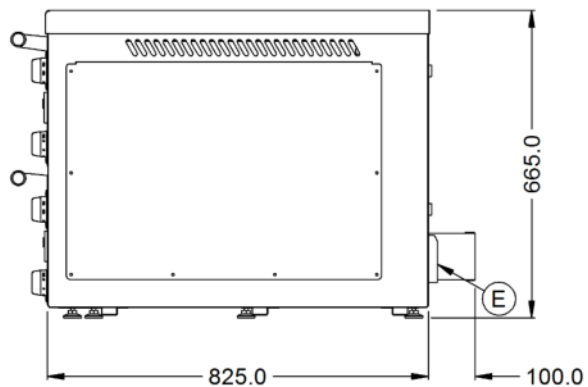
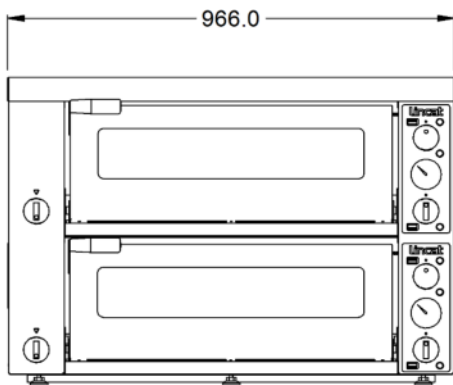
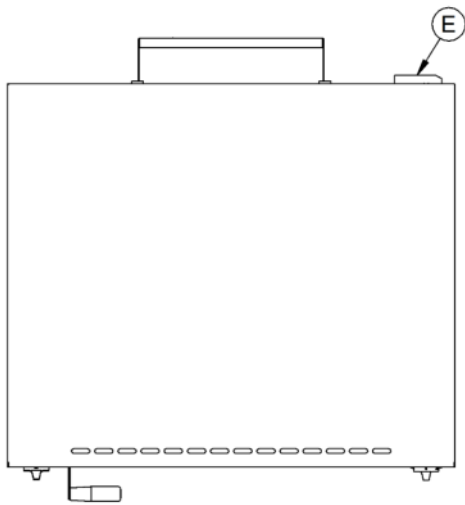
Packed Weight Kg	155
Packed Height cm	96
Packed Width cm	110
Packed Depth cm	97

Available Accessories

P0430/FS

P0430 FLOORSTAND

Technical Picture



Lincat Limited

Whisby Road,
Lincoln, LN6 3QZ,
United Kingdom

Company No: 2175448

A member company of



Customer Care

Tel: +44 1522 875500
Email: care@lincat.co.uk

Export Customers

Tel: +44 1522 503250
Email: export@lincat.co.uk

Opening Hours

Monday – Friday:
8.30am – 5pm